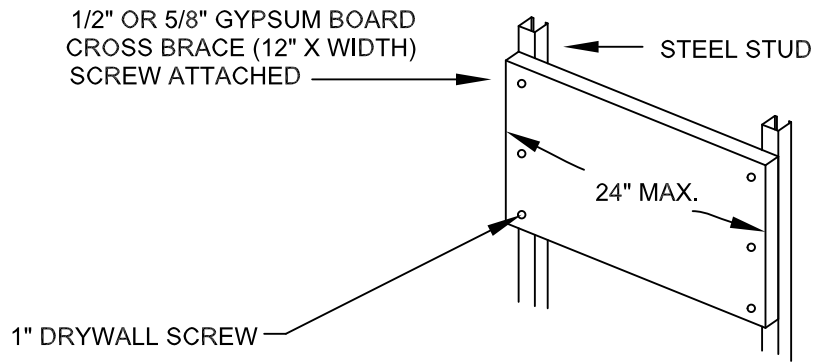
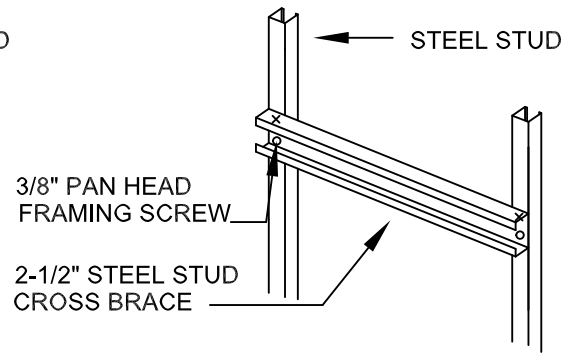


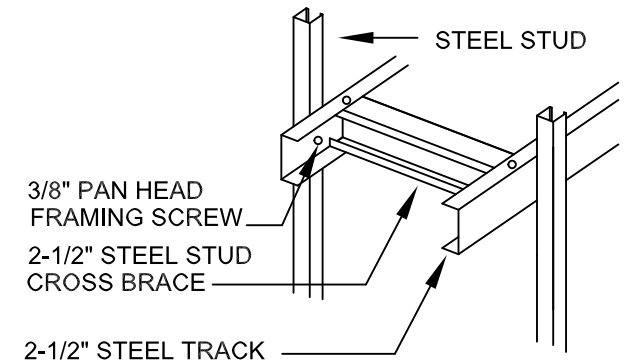
GYPSUM BRACE



STEEL STUD BRACE



STEEL STUD & RUNNER BRACE



GENERAL NOTES:

1. Detail is from **USG Gypsum Construction Handbook**.
2. Detail intended for interior nonstructural applications.
3. Stud depth, spacing and thickness based on height of wall and design load. Consult **SFIA Technical Guide for Cold-Formed Steel Framing Products** for limiting heights.
4. Gypsum panel type and thickness as required to meet design considerations.

DISCLAIMER: This detail must not be used without a complete evaluation by the owner's design professional to verify validity of the design.