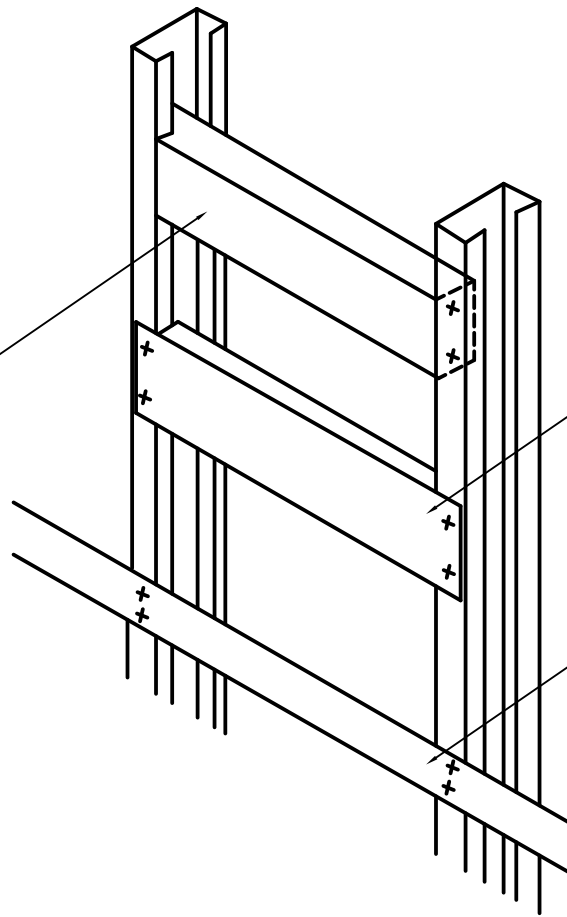


WOOD BLOCKING



NOTCHED TRACK OR  
C-SECTION

FLAT STRAP

GENERAL NOTES:

1. Detail is from the AISI Document entitled **Low-Rise Residential Construction Details**.
2. Consult **SFIA Technical Guide for Cold-Formed Steel Framing Products** for stud size, thickness, and spacing.
3. Consult with specialty structural engineer for design of blocking and framing to support heavy fixtures.
4. Gypsum type and thickness to meet specific project requirements.

DISCLAIMER: This detail must not be used without a complete evaluation by the owner's design professional to verify validity of the design.